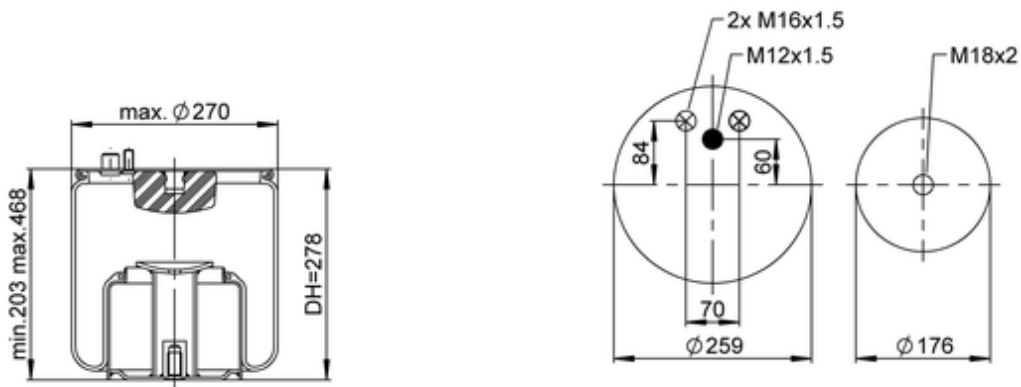


1R10-709

20920775








● bolt or stud

○ hole

⊗ combination stud

⊗ air inlet

Article status	Not Available
GTIN/EAN	3838592116673
Bellow number	566-20-3-502
 kg	8,5 kg
	
	M12x1.5: max. 45 Nm
	M16x1.5: max. 70 Nm
	M18x2: max. 110 Nm

## OE Manufacturer/Part No.

Manufacturer	Original Part No.	Model
MAN	81.43600.6058	
MAN	81.43600.6079	

MAN	81.43600.6036	TGA / TGX
MAN	81.43600.6056	TGS