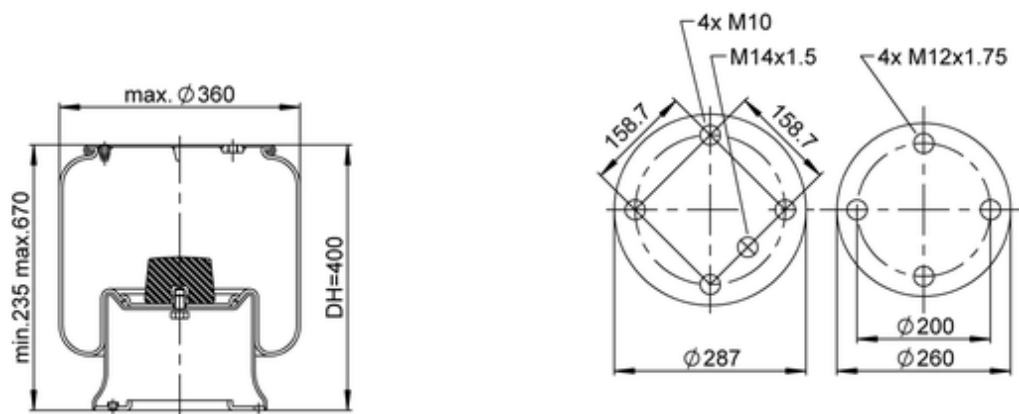


1R14-727

20920916



● bolt or stud

○ hole

⊗ combination stud

⊗ air inlet

	13,9 kg
	1R14-065
	M10: max. 30 Nm
	M12x1.75: max. 45 Nm
	M14x1.5: max. 70 Nm

OE Manufacturer/Part No.

Manufacturer	Original Part No.	Model
SCANIA	255295	
Scania	298568	Series 3
Scania	325748	Series 3
Scania	1865755	Series 3
Scania	255293	Series 3

Scania	1314906	Series 3
Scania	1107674	Series 3