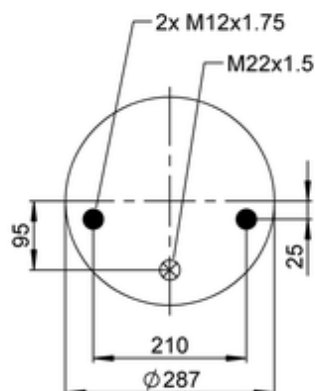
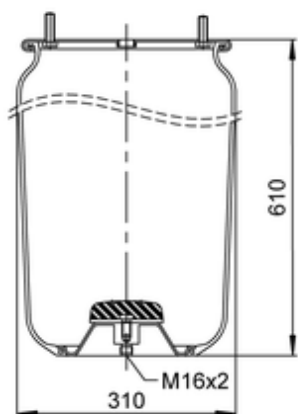


1R14-700

20921149







● bolt or stud

○ hole

⊗ combination stud

⊗ air inlet

| | |
|---|----------------------|
|  | 7,3 kg |
|  | M12x1.75: max. 45 Nm |
|  | M16: max. 90 Nm |
|  | M22x1.5: max. 70 Nm |

OE Manufacturer/Part No.

| Manufacturer | Original Part No. | Model |
|--------------|-------------------|-------|
| SCHMITZ | 017199 | |
| BPW | 05.429.40.05.0 | 36-1 |