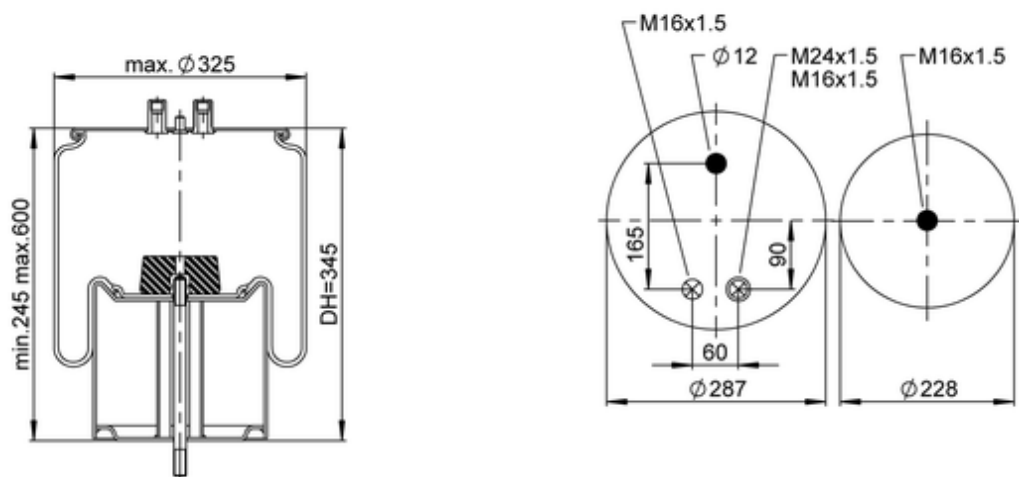


1R13-714

20921144



● bolt or stud ○ hole ⊗ combination stud ⊗ air inlet

	14 kg
	M16x1.5: max. 20 Nm
	M16x1.5: max. 90 Nm
	M24x1.5: max. 70 Nm

OE Manufacturer/Part No.

Manufacturer	Original Part No.	Model
RENAULT TRUCKS	5.010.294.308.C	