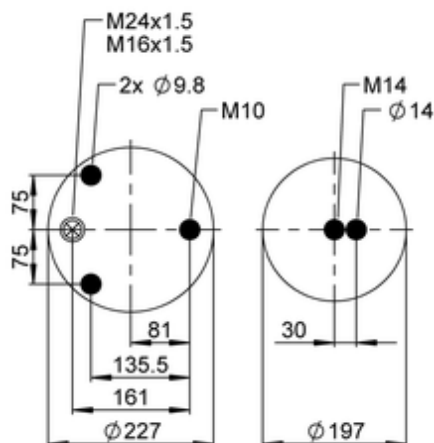
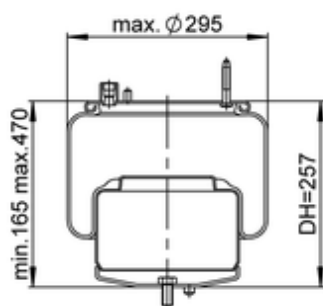


1R11-949

21112319





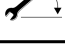



● bolt or stud

○ hole

⊗ combination stud

⊗ air inlet

 kg	6,3 kg
	
	M10: max. 30 Nm
	M14: max. 70 Nm
	M16x1.5: max. 70 Nm
	M24x1.5: max. 70 Nm

OE Manufacturer/Part No.

Manufacturer	Original Part No.	Model
VOLVO	21224746	
VOLVO	22058738	