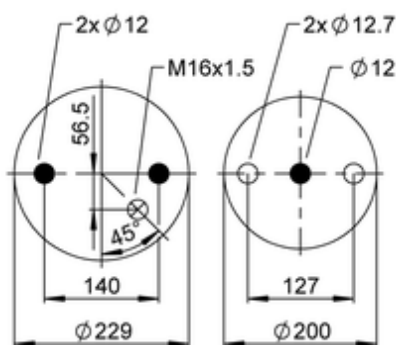
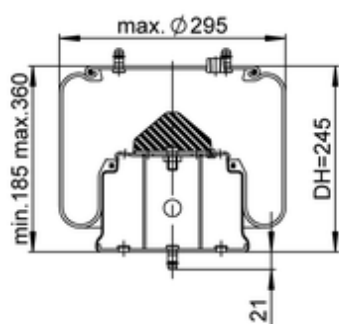




1R11-841

20921008



-  bolt or stud
-  hole
-  combination stud
-  air inlet

	7 kg
	M16x1.5: max. 90 Nm

OE Manufacturer/Part No.

Manufacturer	Original Part No.	Model
Scania	1726246	ASA701, ARA860