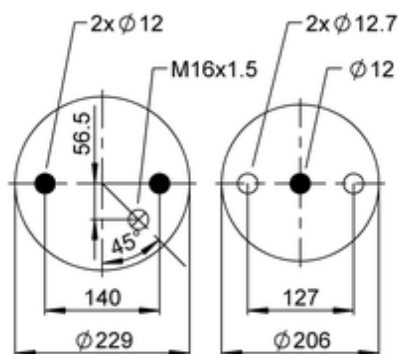
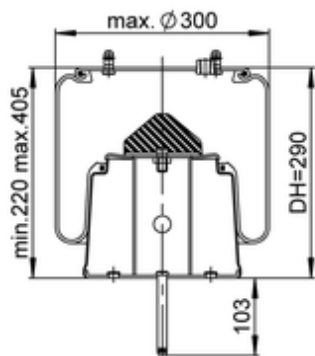





1R11-840

20920936



-  bolt or stud
-  hole
-  combination stud
-  air inlet

	8,8 kg
	M16x1.5: max. 90 Nm

OE Manufacturer/Part No.

Manufacturer	Original Part No.	Model
Scania	1726241	ADA1300